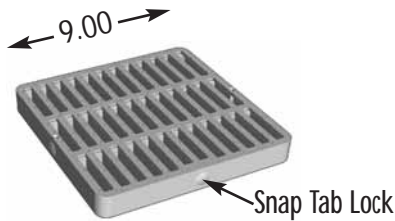


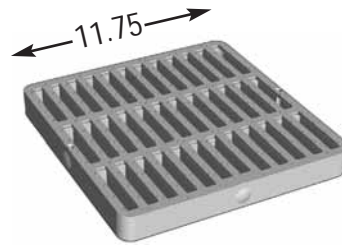
Alliance Surface Drainage Series

BASIN GRATES

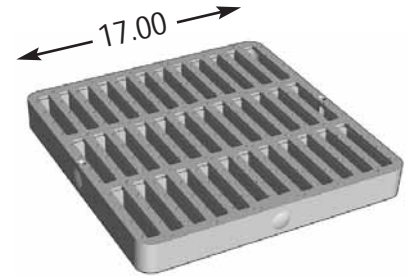
Square 9"



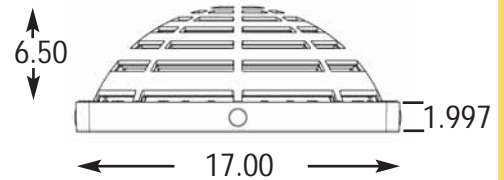
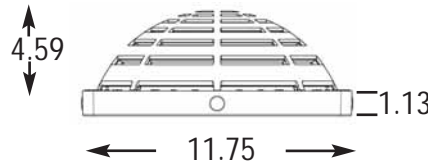
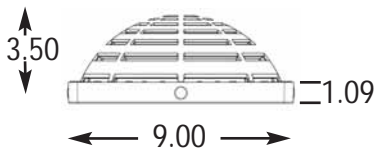
12"



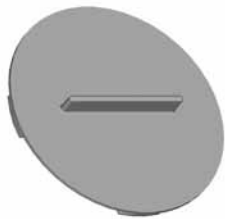
18"



Atrium



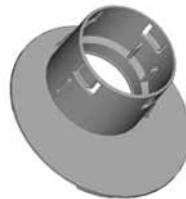
BASIN ADAPTERS



Plug



3" or 4"
Universal
*Patent Pending



3" or 4"
OFFSET
*Patent Pending



6" Pipe
Universal



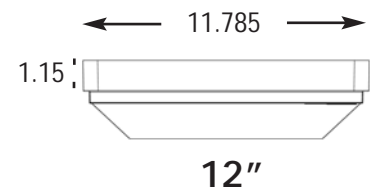
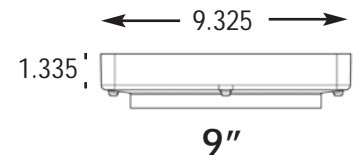
8" Pipe
OFFSET



8" Pipe
Universal
(only 18" Basin)

Low Profile Adapters

- Low profile adapters use Basin Adapters to attach directly to pipe.



Made in USA

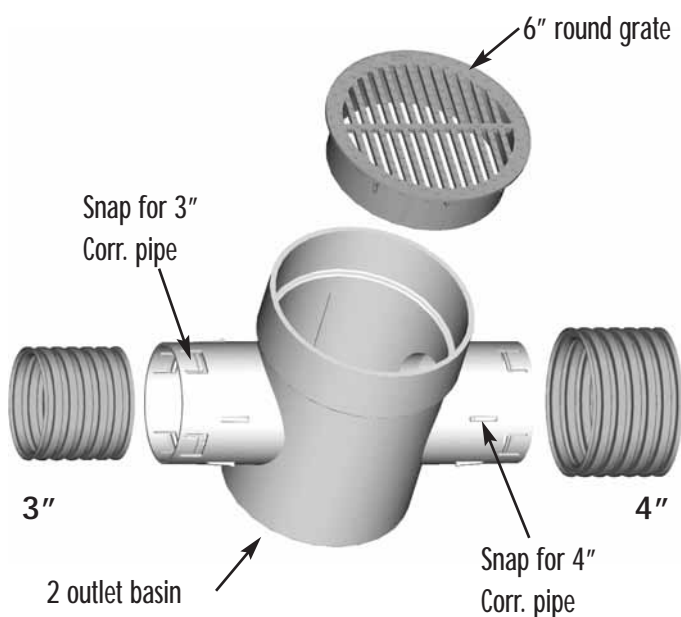
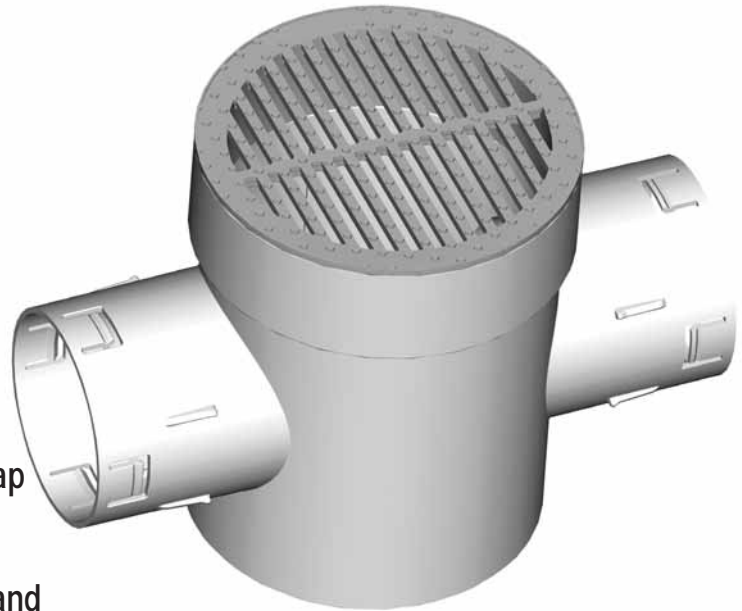
Specifications may vary slightly

Alliance Surface Drainage Series

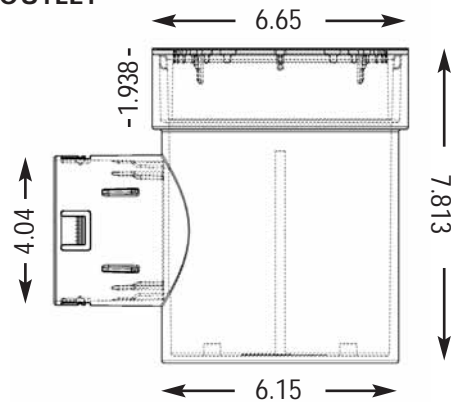
BASIN SERIES

6" Round Basin

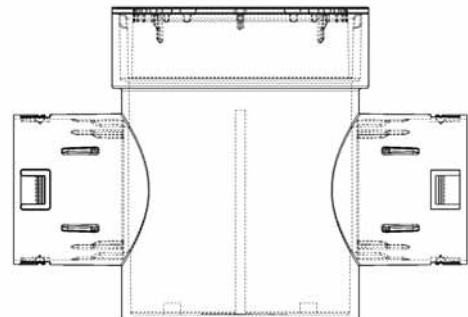
- All plastic construction with UV inhibitor
- Fit 3"– 4" pipe
 - corrugated pipe
 - triple wall pipe
 - sewer and drain pipe
- Pat. Pend. Pipe Adapter Outlets that snap onto corrugated pipe
- Grates Available: 6" Round, 6" Atrium and 7", 8", 9" Square
- Grates available in black, green, and sand color.
Special colors on request



1 OUTLET



2 OUTLETS



Made in USA
Pat. Pending

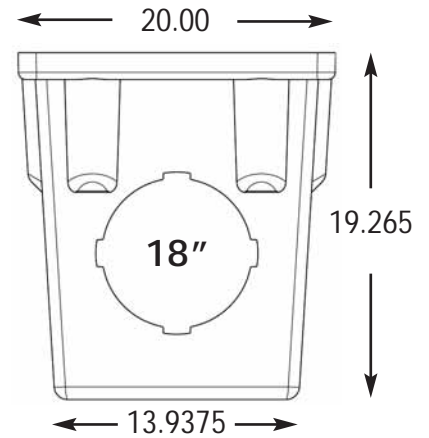
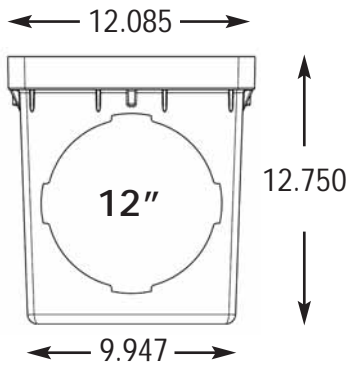
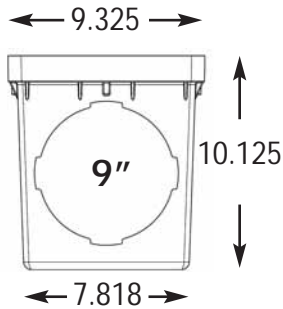
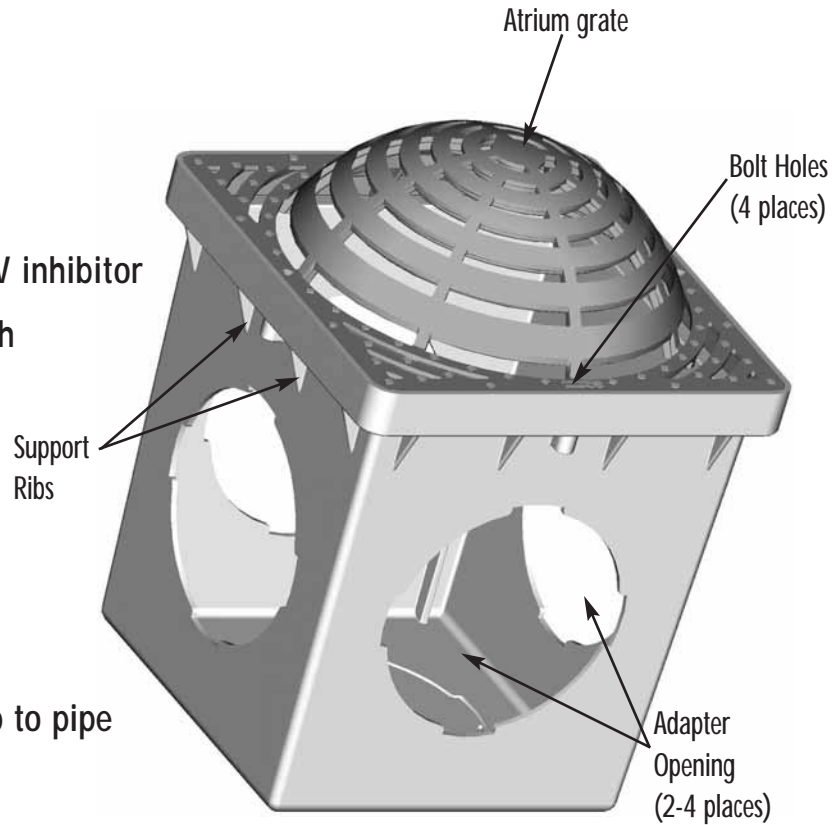
Specifications may vary slightly

Alliance Surface Drainage Series

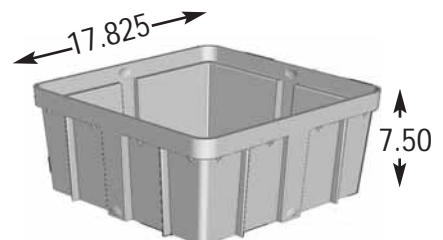
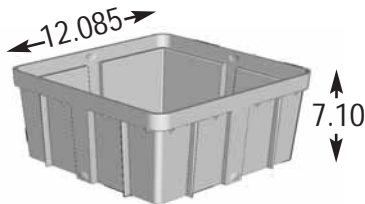
BASIN SERIES

Square Basin

- All plastic construction with UV inhibitor
- Square and Atrium Grates with Pat. Pend. Snap lock feature
- Fits from 3" – 8" pipe
 - corrugated pipe
 - triple wall pipe
 - sewer and drain pipe
- Pat. Pend. Adapters that snap to pipe for 3" – 4" corrugated pipe
- 6" extension riser available to increase depth
- Basins nested for shipping



6" Risers



Specifications may vary slightly

Grates and Adapters on Back

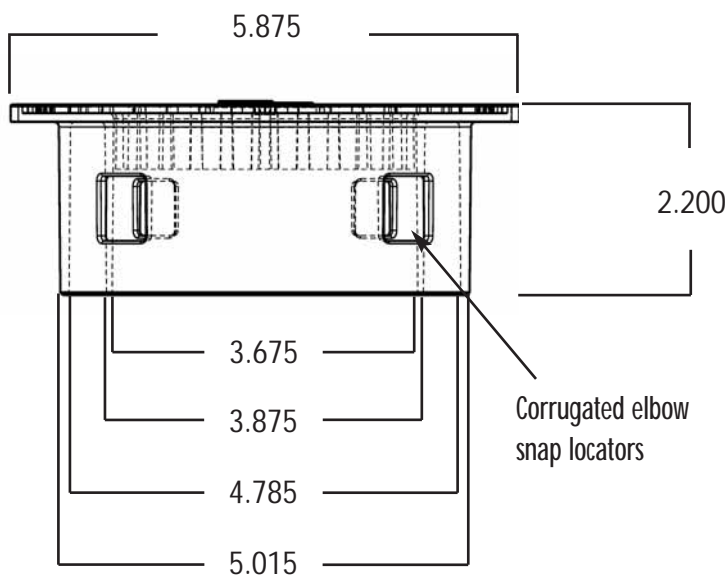
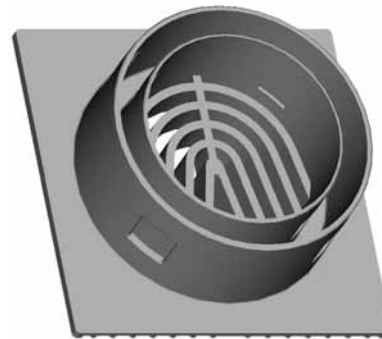
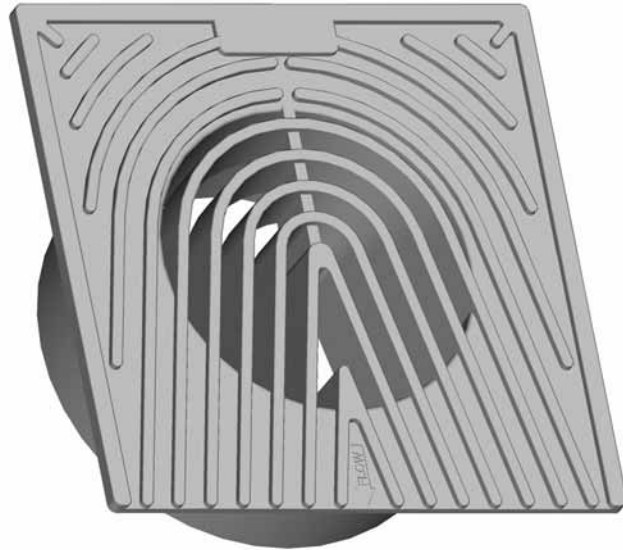
Made in USA
Pat. Pending

Alliance Surface Drainage Series

GRATE SERIES

Emitter Grates

- All plastic construction with UV inhibitor
- Fits 3" and 4" Elbows
 - corrugated pipe – snaps into grate
 - sewer and drain pipe
- Fits from 3" – 6" pipe
 - corrugated pipe
 - triple wall pipe
 - sewer and drain pipe
- Smooth Edge with "Flow" mark to square up to Curb or Sidewalk
- Available in black or green.



Specifications may vary slightly

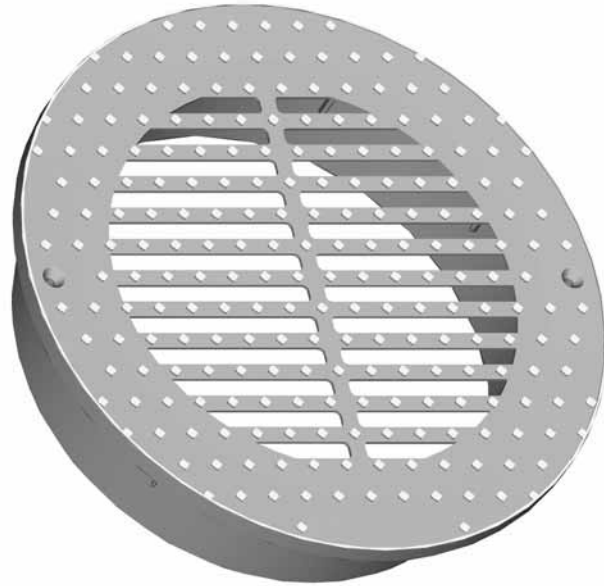
Made in USA

Alliance Surface Drainage Series

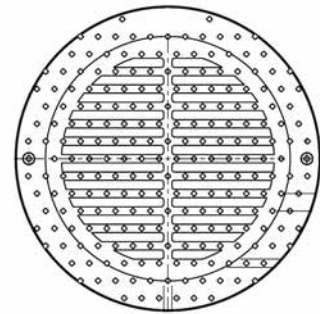
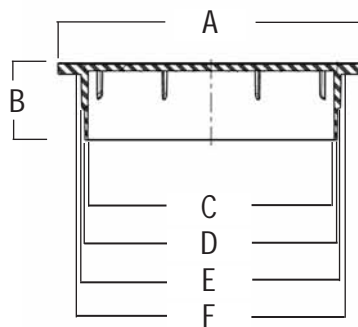
GRATE SERIES

Round Grates

- All plastic construction with UV inhibitor
- Skid Resistant texture
- Fits from 3" – 12" pipe
 - corrugated pipe
 - triple wall pipe
 - sewer and drain pipe
- Grates available in black, green, and sand color.
Special colors on request



KEY	
A-	Top Outside Dim
B-	Height
C-	Bottom Inside Dim
D-	Bottom Outside Dim
E-	First Pipe Rim
F-	Last Pipe Rim



Grate Size	A	B	C	D	E	F
3"	3.580	1.640	2.750	2.949	3.068	3.284
4"	4.563	1.490	3.701	3.900	4.027	4.216
6"	6.650	1.815	5.676	5.810	6.065	6.271
8"	7.688	2.500	5.651	5.810	6.275	n/a
10"	9.780	2.800	7.472	7.850	8.095	8.400
12"	14.000	3.500		11.526	10.750	11.880

Specifications may vary slightly + or - .030

Made in USA

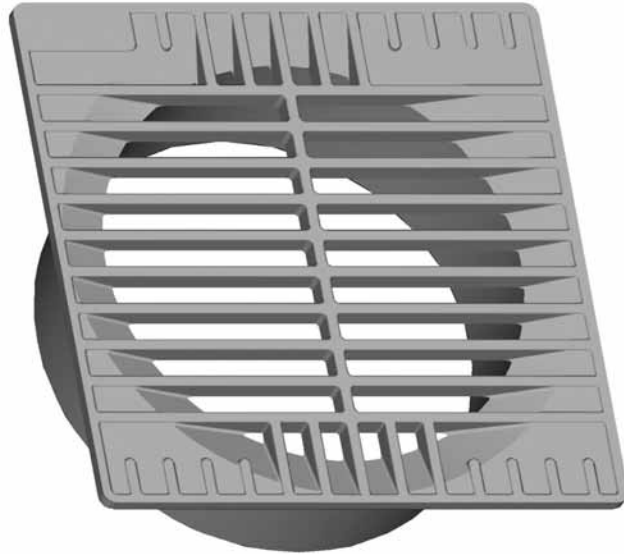
Alliance Surface Drainage Series

GRATE SERIES

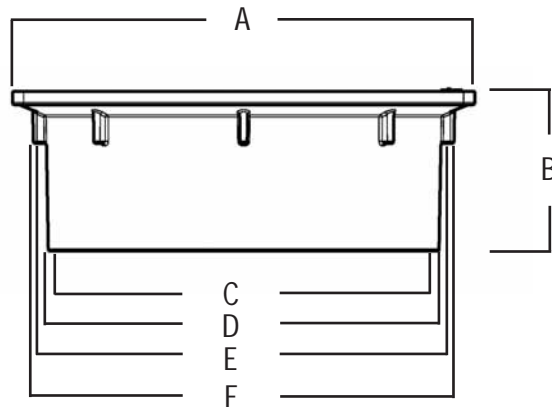
Square Grates

- All plastic construction with UV inhibitor
- Skid Resistant texture
- Fits from 3" – 6" pipe
 - corrugated pipe
 - triple wall pipe
 - sewer and drain pipe
 - Sch 40 pipe
- Grates available in black, green, and sand color.

Special colors on request



KEY	
A-	Top Outside Dim
B-	Height
C-	Bottom Inside Dim
D-	Bottom Outside Dim
E-	First Pipe Rim
F-	Last Pipe Rim



Grate Size	A	B	C	D	E	F
4"	3.625	1.500	2.750	2.930	3.125	3.250
5"	4.600	1.750	3.675	3.875	4.187	4.250
6"	5.675	2.093	2.650	3.875	3.007	4.224
7"	6.875	2.375	5.660	5.810	6.275	n/a
8"	7.750	2.375	5.660	5.810	6.275	n/a
9"	8.875	2.531	5.500	5.801	6.221	n/a
<i>Specifications may vary slightly + or - .030</i>						

Made in USA



DFW PLASTICS, INC. P.O. Box 648 ~ Bedford, Texas 76095 ~ USA ~ 817.439.3600 ~ Fax 817.439.3700